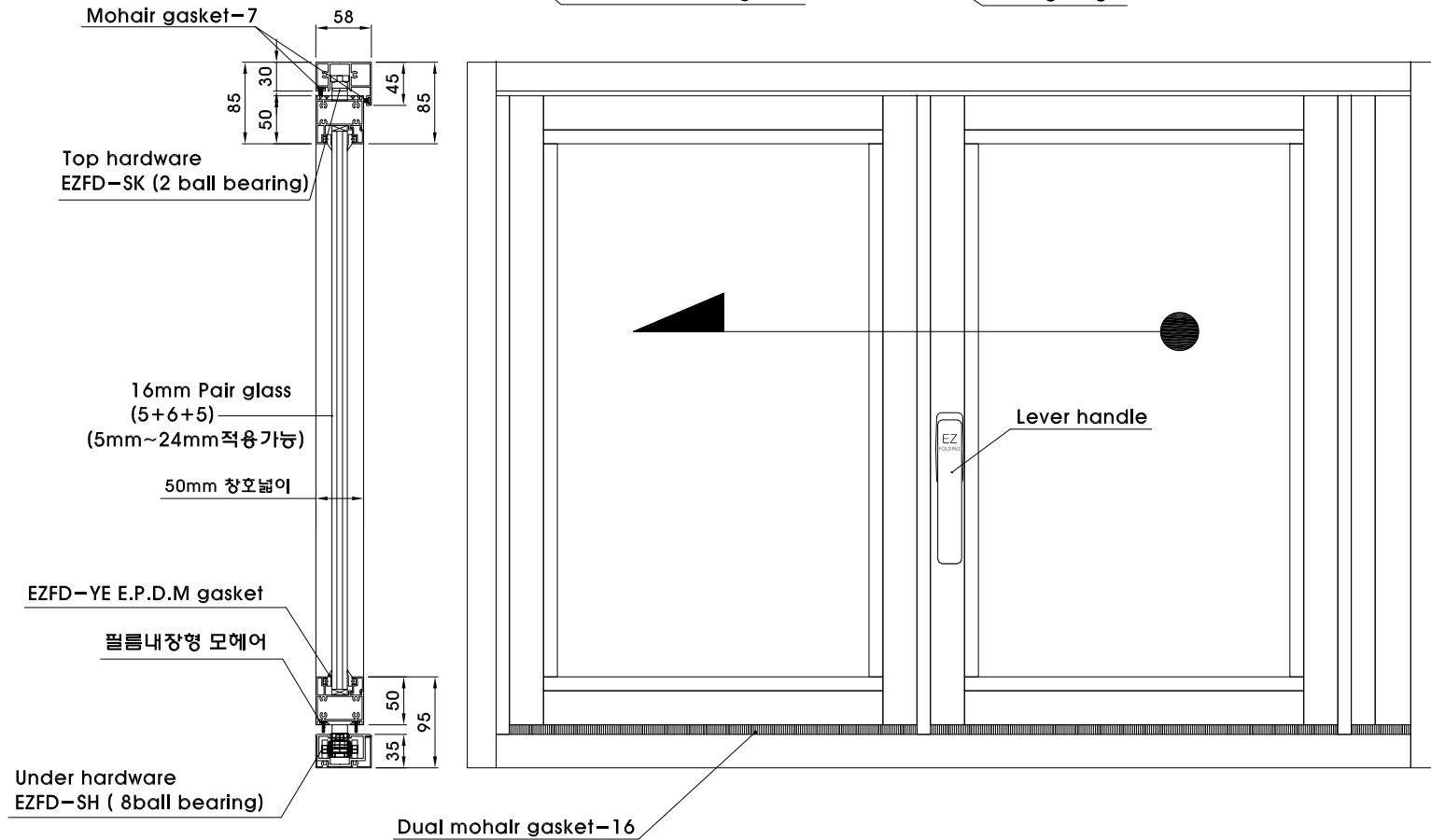
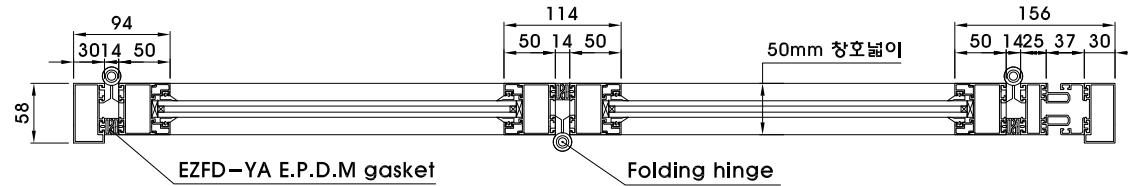


심플업(EZ-JI50) 폴딩도어



심플업(EZ-JI50) 폴딩도어 DETAIL

Name of Project

Note

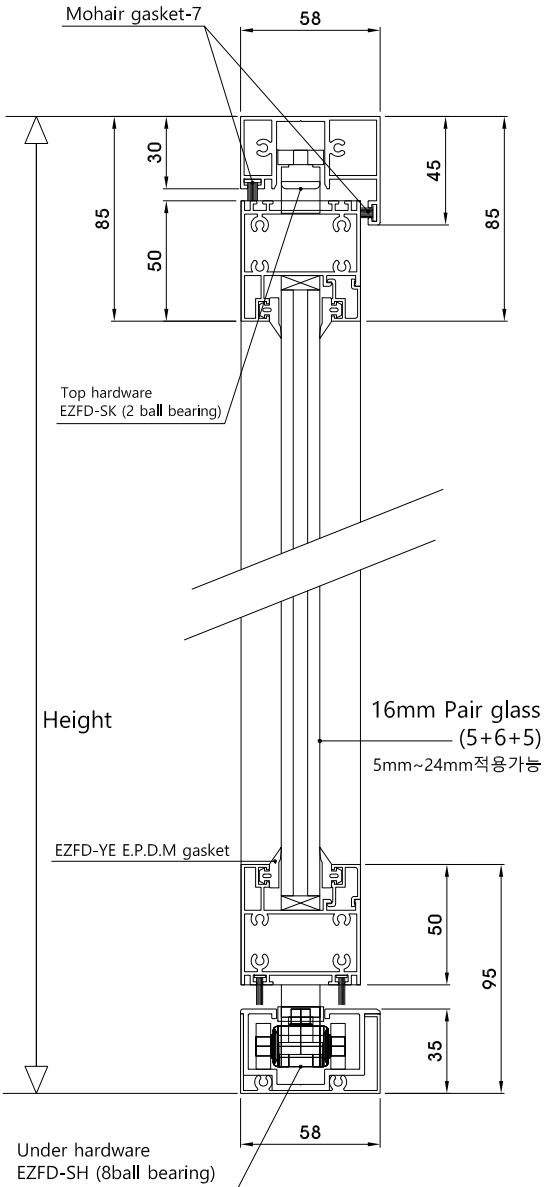
Date

Name of drawing

Drawing No

File name

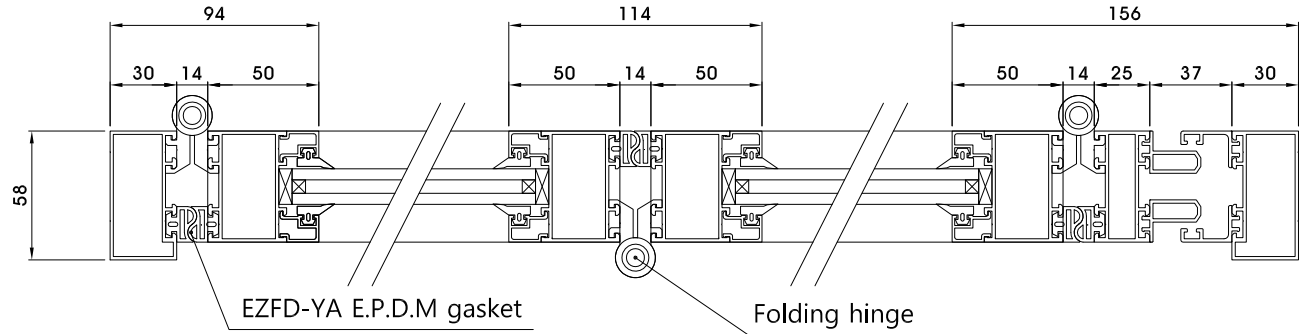
심플업(EZ-JI50)폴딩도어 DETAIL



2

SC 1 A1 : NONE
SC 1 A3 : NONE

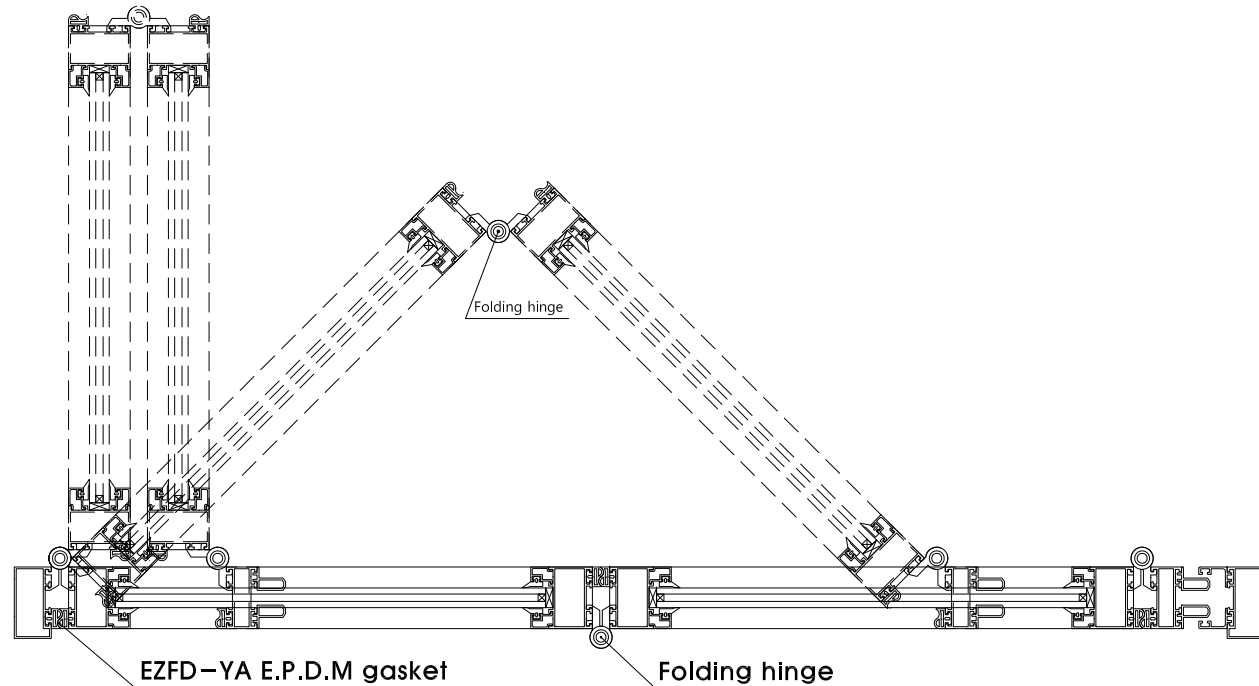
심플업(EZ-JI50)폴딩도어 DETAIL-JOINT DOOR SYSTEM



3

SC 1 A1 : NONE
SC 1 A3 : NONE

심플업(EZ-JI50)폴딩도어 DETAIL-MOVING DOOR SYSTEM



4

SC 1 A1 : NONE
SC 1 A3 : NONE



Name of Project

Note

Date

Name of drawing

Drawing No

File name