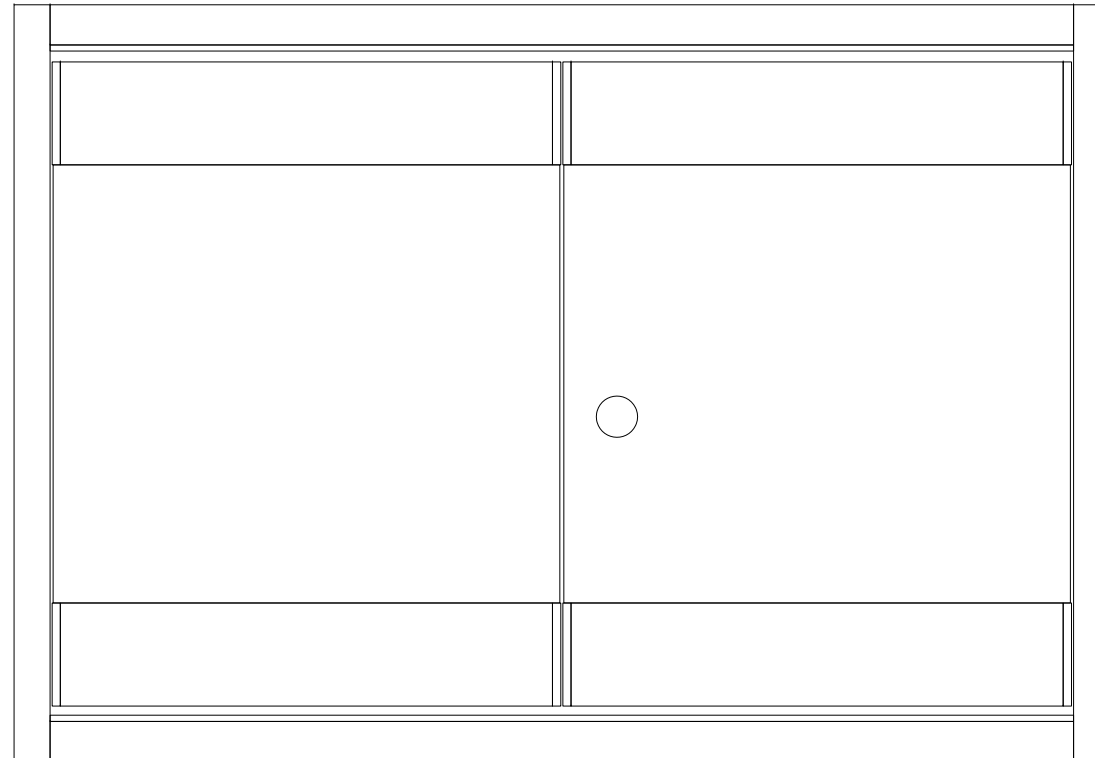
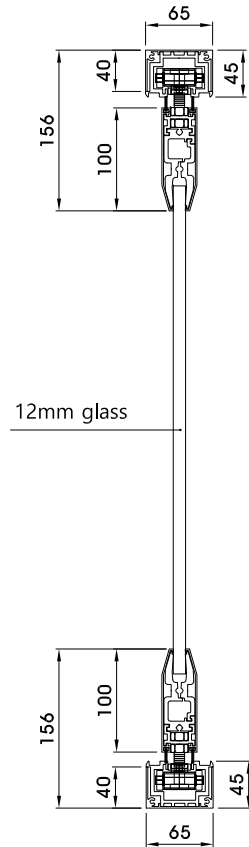
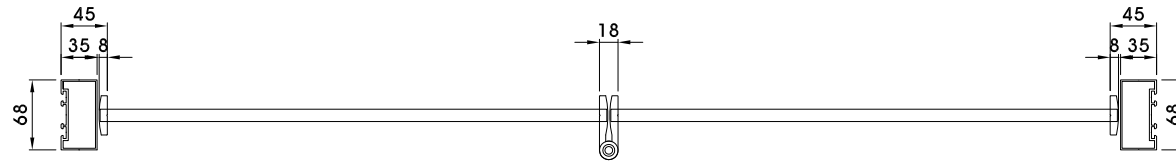


글라스(EZ-GL34) 폴딩도어



Folding



글라스(EZ-GL34) 폴딩도어 DETAIL

Name of Project

Note

Date

Name of drawing

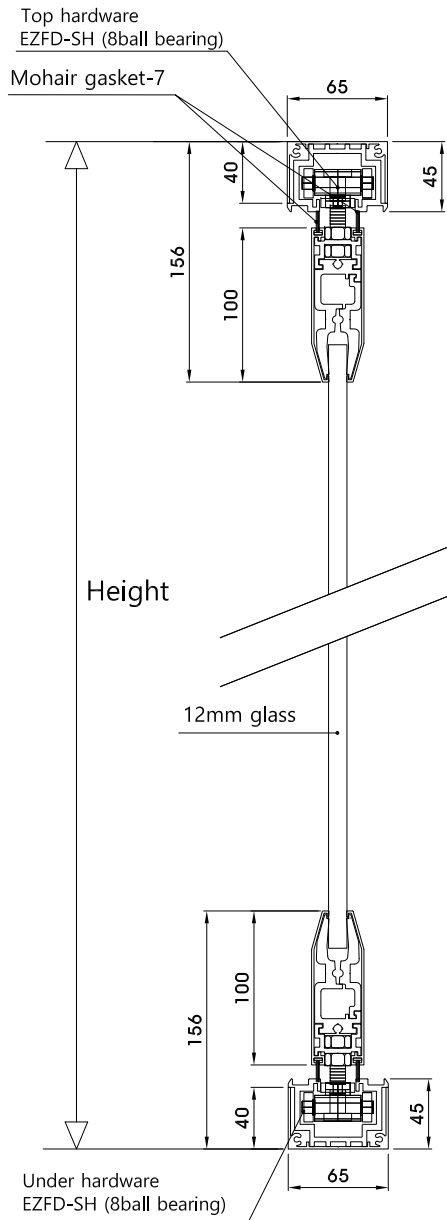
Drawing No

File name



SC | A1 : NONE
SC | A3 : NONE

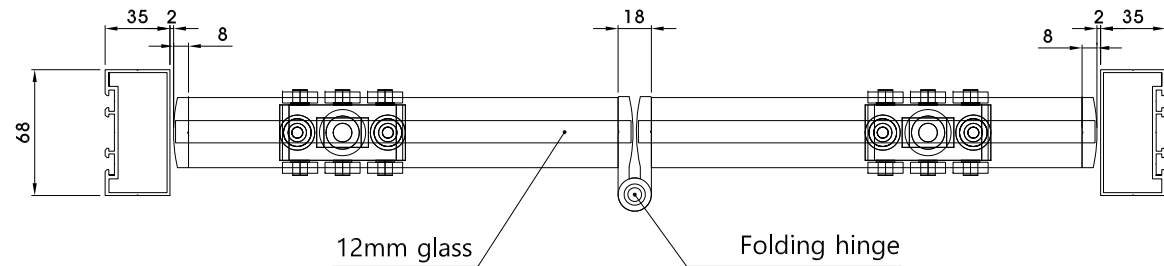
글라스(EZ-GL34)폴딩도어 DETAIL



2

SC 1 A1 : NONE
SC 1 A3 : NONE

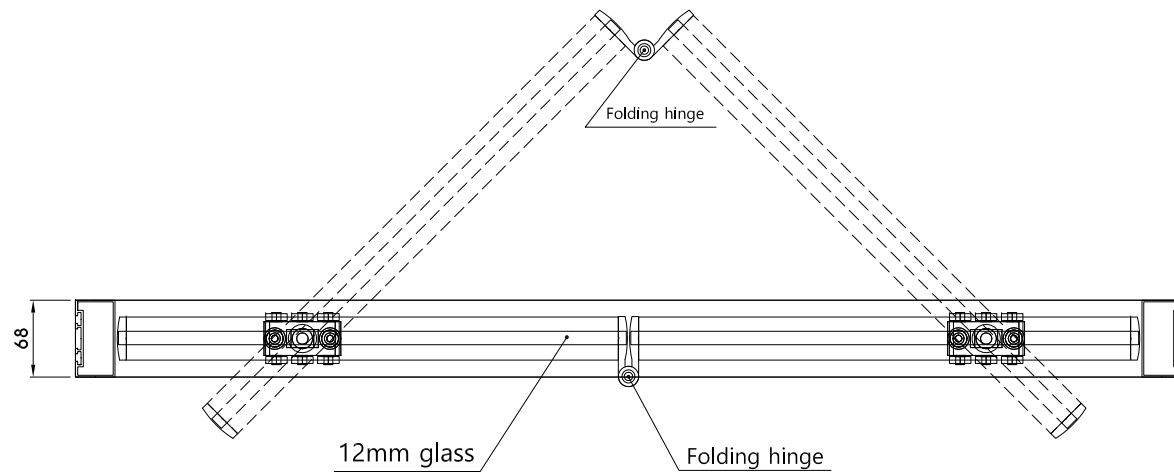
글라스(EZ-GL34) 폴딩도어 DETAIL-JOINT DOOR SYSTEM



3

SC 1 A1 : NONE
SC 1 A3 : NONE

글라스(EZ-GL34) 폴딩도어 DETAIL-MOVING DOOR SYSTEM



4

SC 1 A1 : NONE
SC 1 A3 : NONE



Name of Project

Note

Date

Name of drawing

Drawing No

File name